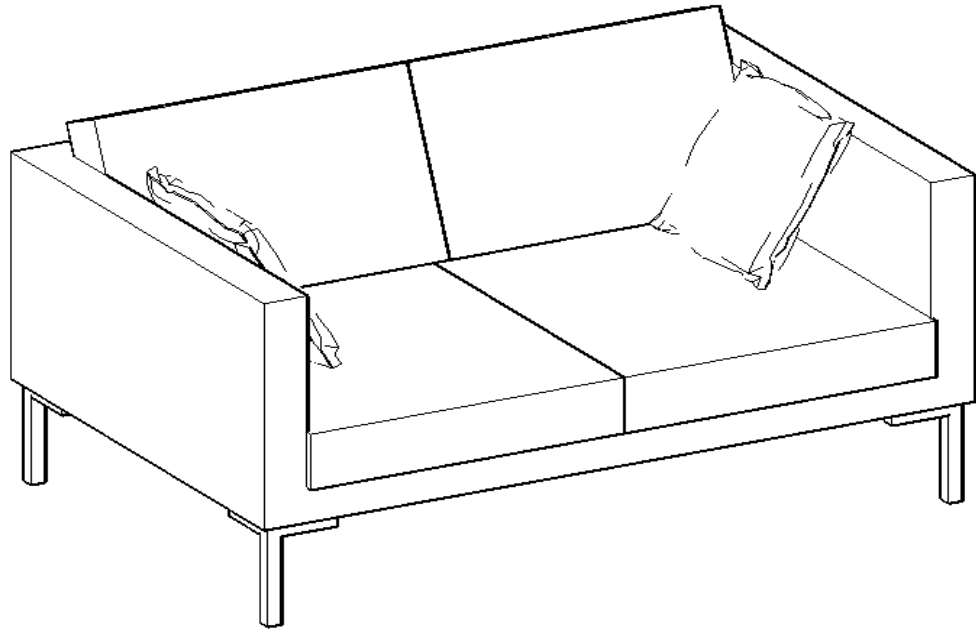
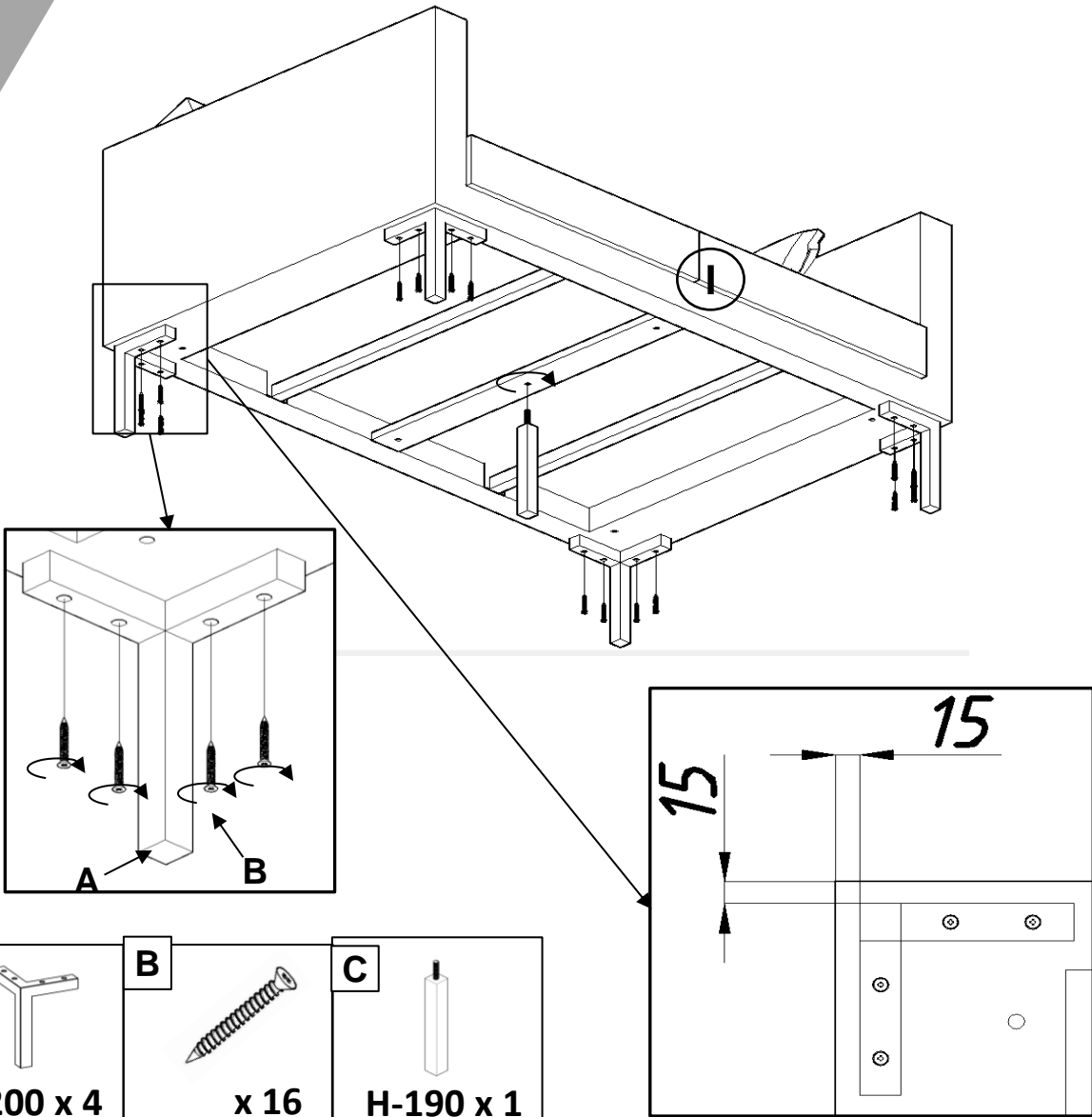


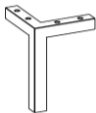


# DOMINO SOFOS

## SURINKIMO INSTRUKCIJA



1



- |                  |   |             |   |                  |   |
|------------------|---|-------------|---|------------------|---|
| <b>A</b>         |  | <b>B</b>    |  | <b>C</b>         |  |
| <b>H-200 x 4</b> |   | <b>x 16</b> |   | <b>H-190 x 1</b> |   |