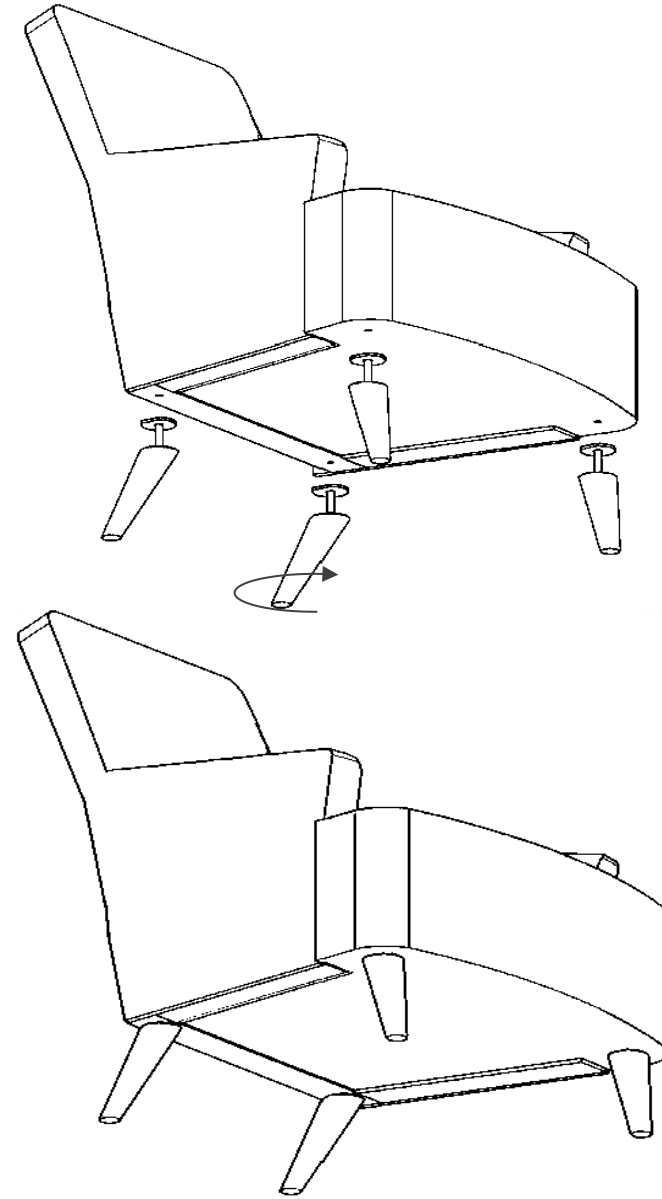
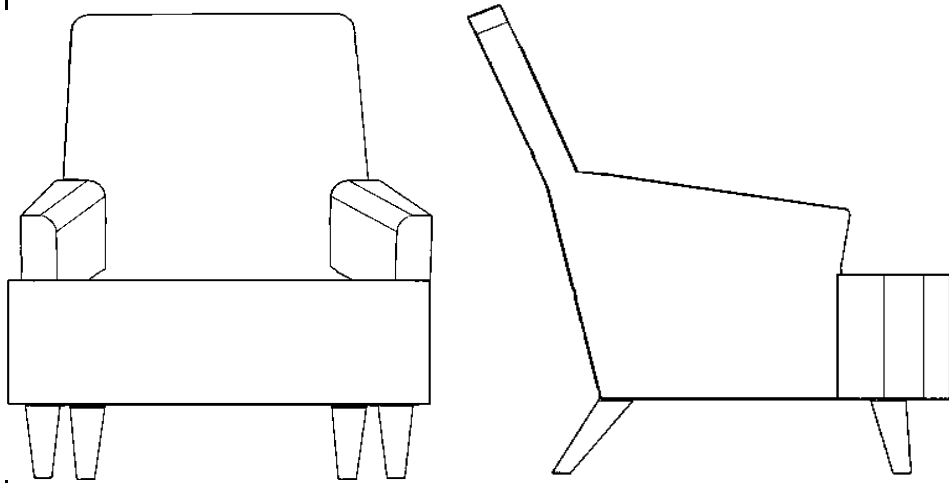


Armchair



Rear leg x2

Front leg x2

x4